



PLUG		RECEPTACLE	
PART NO.	ENG. NO.	PART NO.	ENG. NO.
19-09-2098	3191-9P	19-09-1099	3191-9R1
19-09-2099	3191-9P1	19-09-1096	3191-9R1-201
19-09-2097	3191-9P-201		
19-09-2096	3191-9P1-201		

**LEGEND:**

3191-9\*\*\*\*-\*

CIRCUIT SIZE

P = PLUG

R = RECEPTACLE

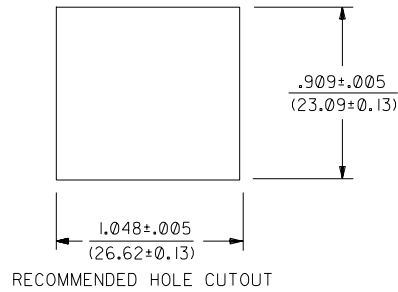
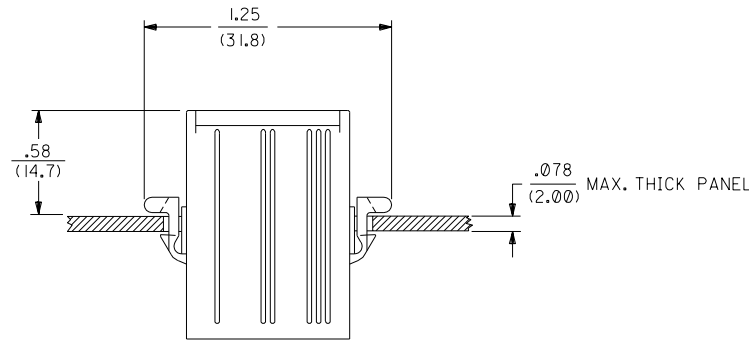
EARS: BLANK = WITH PREBENT EARS (PLUG ONLY)

I = WITHOUT EARS

COLOR: BLANK = NATURAL COLOR

AM=AMBER BK=BLACK BU=BLUE  
 BN=BROWN GY=GRAY GN=GREEN  
 OR=ORANGE RD=RED YW=YELLOW  
 COLORS AVAILABLE ONLY IN 94V-2 MATERIAL

MATERIAL: BLANK=NYLON TYPE 6/6, 94V-2  
 201=NYLON TYPE 6/6, 94V-0



**NOTES:**

I. THESE HOUSINGS FOR USE WITH MOLEX .093/(2.36) DIAMETER SERIES TERMINALS.

DIMENSIONS SHOWN (METRIC) INCH	
UNLESS OTHERWISE SPECIFIED TOLERANCES: ANGULAR ± .04° 10	
5 PLACE ± .010	---
2 PLACE ± .014	± 0.25
1 PLACE ---	± 0.35
DRAFT WHERE APPLICABLE MUST REMAIN WITHIN DIMENSIONS	
DRWG. BY: GEP	CHK'D. BY: RW
APP'D. BY: RAS	SCALE: --:--

▽ =	▼ =	REVISE ONLY ON CAD SYSTEM
TITLE: .093/(2.36) HOUSINGS PLUG AND RECEPTACLE 9 CKT., .264/(6.70) CTRS.		
FROM: MOLEX INCORPORATED L15E,ILL. 60532 U.S.A.	SHEET NO. 3	DATE 8/2/89
PART NO. SEE CHART	DRWG. NO. SD-3191-9*	
FILE NAME: 531919X3 03	THIS DRAWING CONTAINS INFORMATION THAT IS PROPRIETARY TO MOLEX INC. AND SHOULD NOT BE USED WITHOUT WRITTEN PERMISSION.	
DRG. NO. CP	SIZE: C	NO P.S. 1

LTR.	REVISIONS	LTR.	REVISIONS
		J	SEE SHT. 1